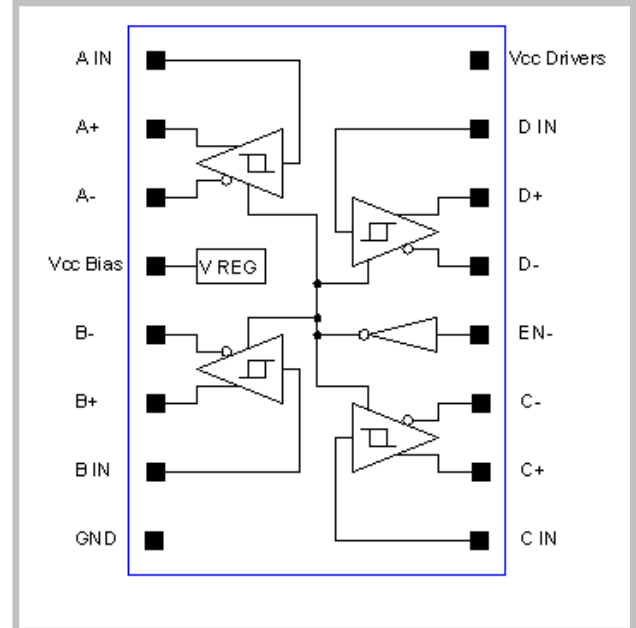


QUAD DIFFERENTIAL LINE DRIVER
SEPARATE LOGIC BIAS
AND DRIVER BIAS, WITH
TRI-STATE OUTPUTS

ET7272B

FEATURES

- Supply (Bias) Voltage Range 3.5V to 30V
- Operation to 800KHz
- CMOS and TTL Compatible Inputs
- Separate logic bias and driver supply pins
- Optional single supply operation for moderate power applications
- High Impedance Buffered Inputs with hysteresis
- Tri-State outputs
- 80mA peak SINK/SOURCE current
- Outputs Protected by Thermal Shut-Down
- ESD protection to 1KV, HBM
- MSL level 2



DESCRIPTION

These line drivers are pin compatible with 26LS31 in applications where pin 4 = 5V and pin 12 = GND. Internal clamp diodes allow trouble-free operation when driving cable lengths exceeding 100m. Split supplies are provided to minimize standby power dissipation in high voltage applications. The logic should be powered from a regulated 5V supply at the VccBias pin. The output stages may then be powered by a separate supply at VccDrivers, up to 30V. Output voltage swings of 0.3V to VCC-1.9V are typical. The outputs are protected against shorts to ground, shorts to Vcc and to other outputs, by a two-fold scheme of current limiting and thermal shutdown. This assures highly reliable operation in harsh environments.

The outputs may be placed into a high impedance state by application of a logic high at the EN- pin. For normal operation, this pin should be at logic low or grounded.

ABSOLUTE MAXIMUM RATINGS

Parameter	Symbol	Min.	Max.	Units	Ref.
Operating Temperature Range	T _A	-55	115	°C	Note 1.
Supply (Driver) Voltage Range	V _{CCD}	4.5	30	V	

ETIC RESERVES THE RIGHT TO MAKE CHANGES AT ANY TIME TO IMPROVE THE DESIGN AND TO SUPPLY THE BEST PRODUCT.

ELECTRICAL CHARACTERISTICS

Unless otherwise specified, $T_A = 25^\circ\text{C}$ and $\text{EN-} < 0.8\text{V}$.

Parameters	Symbol	Min.	Typ.	Max.	Units	Test Conditions
Overtmp Operate Point (junction)	T_{JOP}		172		$^\circ\text{C}$	Note 1
Overtmp Release Point (junction)	T_{JRP}		136		$^\circ\text{C}$	Note 1
Vcc Bias Voltage Range	VCCB	3.5	5	30	V	
Vcc Drivers Voltage Range	VCCD	4.5	5	30	V	
Supply Current VCCB1 (BIAS)	I _{CCB1}		11.9	16.0	mA	V _{CCB} and V _{CCD} = 5V
Supply Current VCCD1 (DRIVERS)	I _{CCD1}		2.4	3.3	mA	V _{CCB} and V _{CCD} = 5V
Supply Current VCCB2	I _{CCB2}		2.5	3.4	mA	V _{CCB} and V _{CCD} = 5V, EN- > 2V
Supply Current VCCD2	I _{CCD2}		0.0	0.1	mA	V _{CCB} and V _{CCD} = 5V, EN- > 2V
Supply Current VCCB3	I _{CCB3}		12.1	18.5	mA	V _{CCB} and V _{CCD} = 30V
Supply Current VCCD3	I _{CCD3}		2.4	3.3	mA	V _{CCB} and V _{CCD} = 30V
Supply Current VCCB4	I _{CCB4}		2.6	3.5	mA	V _{CCB} and V _{CCD} = 5V, EN- > 2V
Supply Current VCCD4	I _{CCD4}		0.0	0.1	mA	V _{CCB} and V _{CCD} = 5V, EN- > 2V
Enable Input Threshold	V _{THE}	0.8	1.5	2	V	
Enable Low Level Input Current	I _{I_{LE}}	-10	0	10	μA	V _{IN} = 0V, V _{CCB} = 5V
Enable High Level Input Current	I _{I_{HE}}	-	108	150	μA	V _{IN} = 5V, V _{CCB} = 5V
High Impedance Output Leakage	I _{oZ}	-4.0	0.0	4.0	μA	V _{CCD} = 30V, EN- > 2V, Output at 15V
Input Positive-Going Threshold	V _{T+}	1.05	1.25	1.45	V	V _{CCB} = 5V
Input Negative-Going Threshold	V _{T-}	0.75	0.95	1.15	V	V _{CCB} = 5V
Input Hysteresis	V _H	-	0.3	-	V	V _{CCB} = 5V
Low Level Input Current	I _{I_L}		-0.1	-4.0	μA	V _{IN} = 0V, V _{CCB} = 5V
High Level Input Current	I _{I_H}		0	4.0	μA	V _{IN} = 5V, V _{CCB} = 5V
Low Level Output1	V _{OL1}		375	500	mV	I _{OL} = 20mA, V _{CCD} = 5V
Low Level Output2	V _{OL2}		370	500	mV	I _{OL} = 20mA, V _{CCD} = 30V
High Level Output1	V _{OH1}	2.4	2.8		V	I _{OH} = -20mA, V _{CCD} = 5V
High Level Output2	V _{OH2}	27.7	28.1		V	I _{OH} = -20mA, V _{CCD} = 30V

PIN FUNCTION TABLE

PIN NUMBERS	PIN NAMES	FUNCTION
1, 7, 9, 15	A IN, B IN, C IN, D IN	LOGIC LEVEL INPUTS
2, 6, 10, 14	A+, B+, C+, D+	TRUE OUTPUTS
3, 5, 11, 13	A-, B-, C-, D-	COMPLEMENT OUTPUTS
4	VCC BIAS	POWER FOR LOGIC
8	GND	RETURN
12	EN-	ENABLE, ACTIVE LOW
16	VCC DRIVERS	POWER FOR OUTPUTS

ETIC RESERVES THE RIGHT TO MAKE CHANGES AT ANY TIME TO IMPROVE THE DESIGN AND TO SUPPLY THE BEST PRODUCT.

East Texas Integrated Circuits USA • 275 W. Campbell Road Suite 310 • Richardson, Texas 75080 • Tel (972) 234-5656 • Fax (972) 234-5657
 Visit our website at www.etic-avago.com, or send us email at sales@etic-avago.com.

AC SWITCHING CHARACTERISTICS

Values given at $V_{CCB} = 5V$, $V_{CCD} = 24V$, $T_A = 25^{\circ}C$, $C_L = 1000pF$ on all outputs, and $EN < 0.8V$.

Parameters	Symbol	Min.	Typ.	Max.	Units	Test Conditions
Propagation delay, rising input 50% point to zero crossing of differential outputs	T_{PLH}		450	630	ns	See above.
Propagation delay, falling input 50% point to zero crossing of differential outputs	T_{PHL}		450	630	ns	See above.
Output Rise Time	T_R		700	980	ns	See above.
Output Fall Time	T_F		700	980	ns	See above.

NOTES:

1. This is not a test parameter, but for information only.
2. Unused inputs should be connected to ground.

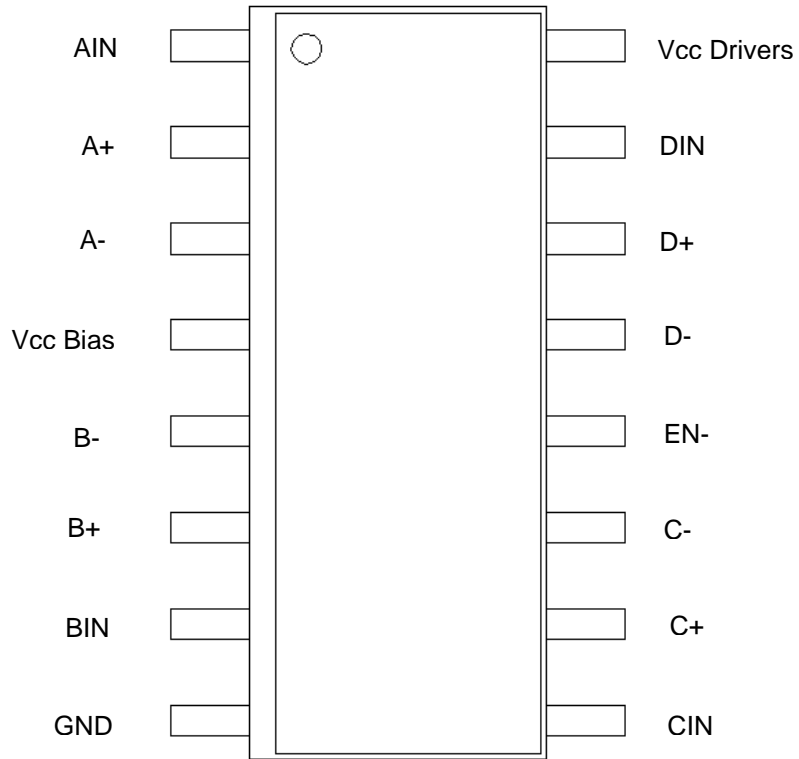
Ordering Information:

PART NUMBER	DESCRIPTION	Packaging	MINIMUM ORDER
ET7272B SOIC	16L SOIC (See drawing)	50 per tube	50
ET7272B T&R	SOIC on Tape & Reel	Reel size & qty per customer PO	500

ETIC RESERVES THE RIGHT TO MAKE CHANGES AT ANY TIME TO IMPROVE THE DESIGN AND TO SUPPLY THE BEST PRODUCT.

East Texas Integrated Circuits USA • 275 W. Campbell Road Suite 310 • Richardson, Texas 75080 • Tel (972) 234-5656 • Fax (972) 234-5657
Visit our website at www.etic-avago.com, or send us email at sales@etic-avago.com.

ET7272B-SOIC
Package Drawing for 16L SOIC



ETIC RESERVES THE RIGHT TO MAKE CHANGES AT ANY TIME TO IMPROVE THE DESIGN AND TO SUPPLY THE BEST PRODUCT.

East Texas Integrated Circuits USA • 275 W. Campbell Road Suite 310 • Richardson, Texas 75080 • Tel (972) 234-5656 • Fax (972) 234-5657
Visit our website at www.etic-avago.com, or send us email at sales@etic-avago.com.