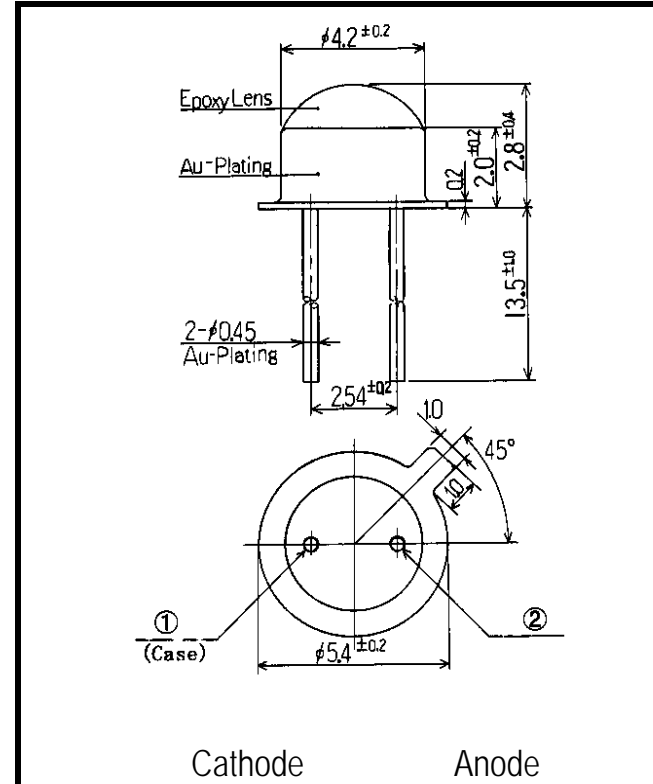


PD130M

Photo Diode



- FEATURES**
- Linearity of E_e vs I_L
 - Low Dark Current
 - Wide Angular Response
 - High Reliability in Demanding Environments
- APPLICATIONS**
- Optical Switches
 - Edge Sensing
 - Fiber Optical Communications
 - Smoke Detectors

1. ABSOLUTE MAXIMUM RATINGS ($T_a=25^\circ\text{C}$)

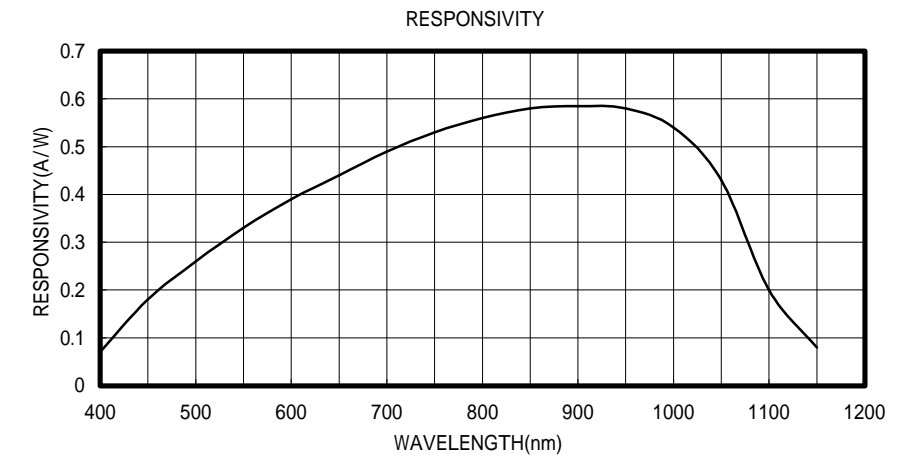
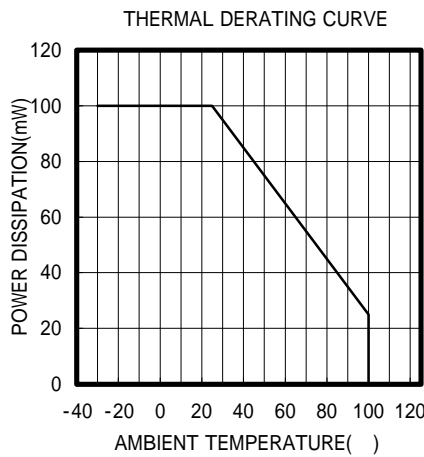
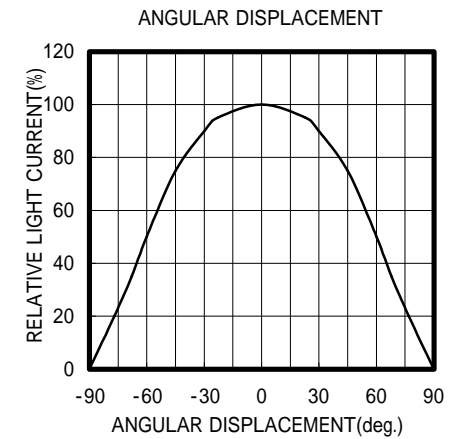
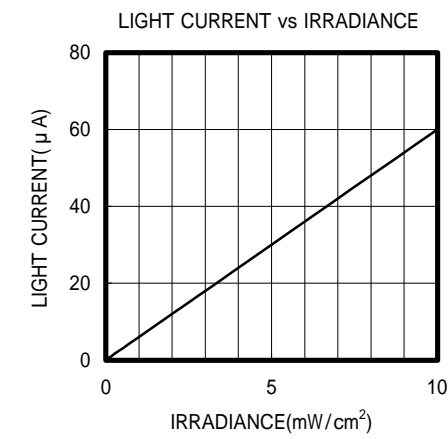
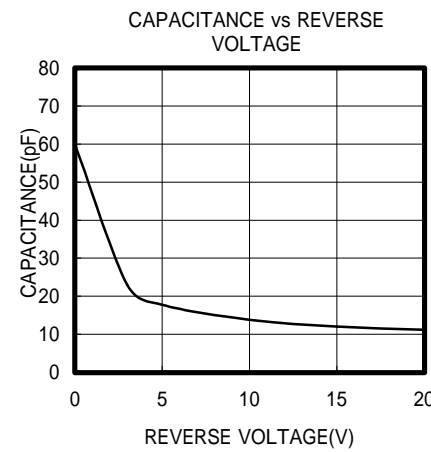
ITEM	SYMBOL	RATINGS	UNIT
Reverse Voltage	VR	30	V
Power Dissipation	PD	100	mW
Operating Temp.	Topr	-30 TO 100	
Storage Temp.	Tstg	-40 TO 125	
Junction Temp.	Tj	125	
Lead Soldering Temp.*1	Tls	260	

*1: Time 5 Sec max, Position: Up to 3mm from the body

2. ELECTRICAL & OPTICAL CHARACTERISTICS ($T_a=25^\circ\text{C}$)

ITEM	SYMBOL	CONDITIONS	MIN	TYP	MAX	UNIT
Open Circuit Voltage	Voc	$E_e=5\text{mW/cm}^2$	0.35			V
Light Current	I_L	$V_R=10\text{V}, E_e=5\text{mW/cm}^2$		30		μA
Dark Current	I_D	$V_R=10\text{V}$			10	nA
Curve Factor	CF	$E_e=5\text{mW/cm}^2$	0.55			-
Spectral Sensitivity				400 ~ 1100		nm
Peak Sensitivity Wave Length	λ_p			900		nm
Responsivity	R_t	$V_R=0\text{V}, \lambda=450\text{nm}$		0.18		A/W
Responsivity	R_t	$V_R=0\text{V}, \lambda=900\text{nm}$		0.58		A/W
Angular Response				± 60		deg
Junction Capacitance	Cj	at 1MHz, $V=0\text{V}$		60	100	pF

Color Temperature= 2870°K Standard Tungsten Lump



OPTRANS

2-6-11 MASUKATA, TAMA-KU, KAWASAKI 214-0032, JAPAN
 TEL.81(44)932-6491 / FAX.81(44)932-8281
 E-mail: oprans@mb.kcom.ne.jp