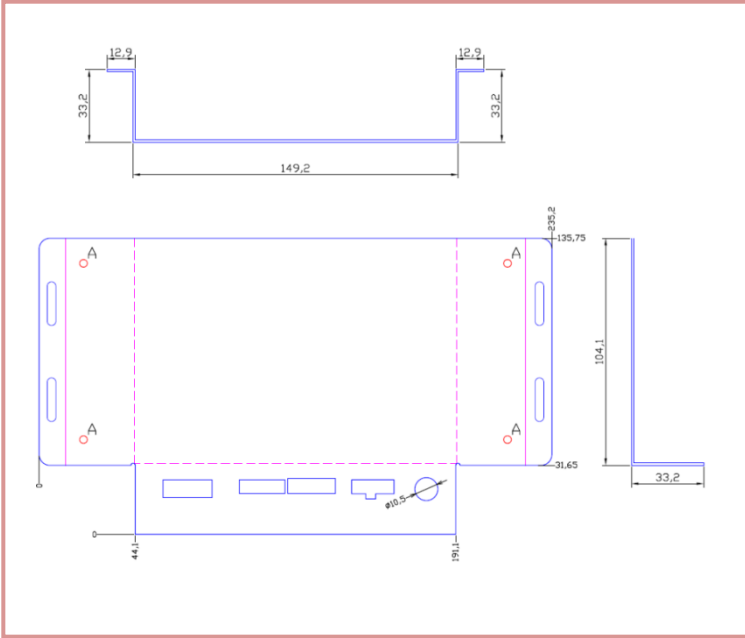
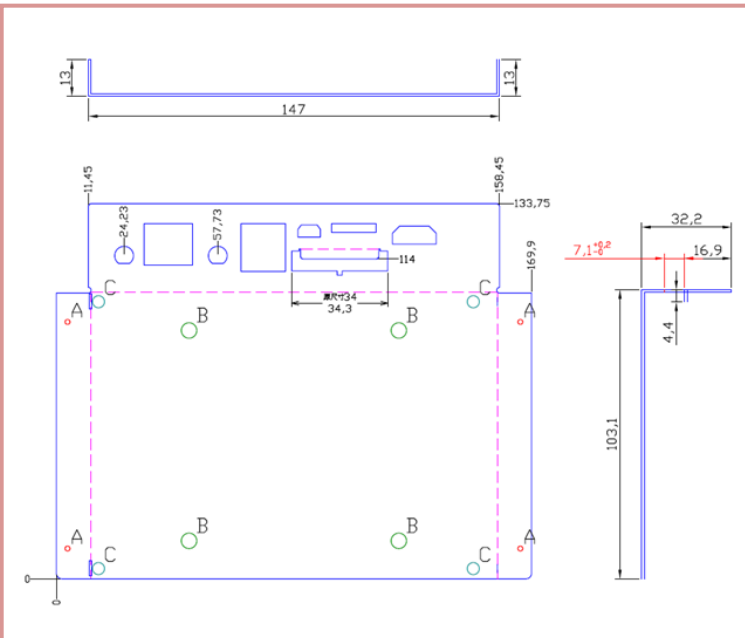


BF-PC-IMX6 Outline Drawing (Top)

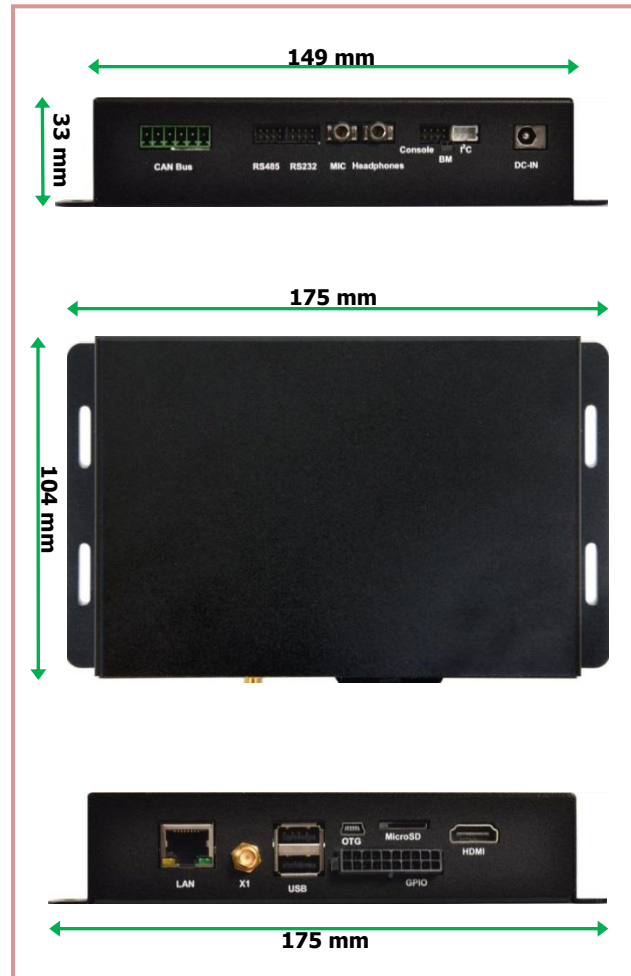


BF-PC-IMX6 Outline Drawing (Bottom)



BF-PC-IMX6 Overview

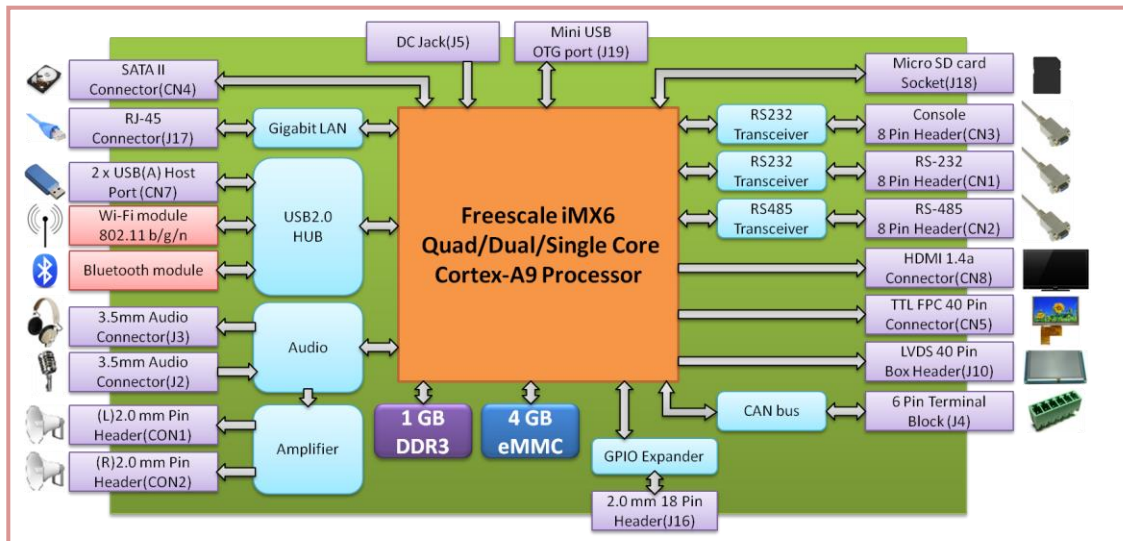
The BF-PC-IMX6 is a compact-sized embedded computer based on the BF-ARM single board computer. The light weight aluminum enclosure enables users to rapidly deploy the BF-PC-IMX6 in a wide range of commercial and industrial applications.



BF-PC-IMX6 Specifications

CPU	Freescle iMX6 Quad-core / Dual-core ARM Cortex™-A9 @ 1GHz	I/O Interfaces	1 × microSD card slot
RAM (DDR3)	1GB (Dual-core) / 2GB (Quad-core)		1 x MIC / 1 x headphone
NAND Flash	4GB flash (eMMC)		GPIO x 8-bit
Display	1 × HDMI 1.4 connector		1 × USB2.0 OTG port (type B connector)
Network	1 × 10/100 /1Gb Ethernet (RJ-45)	Weight	2 × USB 2.0 host ports (type A connectors)
OS supported	Android 4.2 / Ubuntu 11.10	Environment	Approx. 280 g
Power Adapter	+12V / 3A	Dimension	Operating temperature: 0 °C to 60 °C
			175mm x 104mm x 33mm

BF-ARM Block Diagram



BF-PC-IMX6 Ordering Information

(** Note: Not all models are available now. Contact our sales representative for more details.)

Part No.	OS	CPU	RAM	CAN Bus	GPIO	Over-Voltage / Current Protection	Aluminum Case	Common Specifications		
BF-PC-IMX6-QU	Ubuntu	iMX6Q Quad-Core	2GB DDR3	NO	8-bit	NO	YES	4GB NAND Flash, HDMI Audio (MIC, Ear-Phone) LAN / USB host / USB OTG RS232 / RS485, MicroSD I2C master port Power adapter (+12V)		
BF-PC-IMX6-QA	Android			YES	16-bit	YES				
BF-PC-IMX6-QU-V	Ubuntu			NO	8-bit	NO				
BF-PC-IMX6-QA-V	Android			YES	16-bit	YES				
BF-PC-IMX6-DU	Ubuntu	iMX6D Dual-Core	1GB DDR3	NO	8-bit	NO			YES	4GB NAND Flash, HDMI Audio (MIC, Ear-Phone) LAN / USB host / USB OTG RS232 / RS485, MicroSD I2C master port Power adapter (+12V)
BF-PC-IMX6-DA	Android			YES	16-bit	YES				
BF-PC-IMX6-DU-V	Ubuntu			NO	8-bit	NO				
BF-PC-IMX6-DA-V	Android			YES	16-bit	YES				

BF-PC-IMX6 Optional Modules

Description
(BL-8723 WiFi + BT) + Antenna (8cm/2dBi, SMA plug reverse)

